

F1 Issues

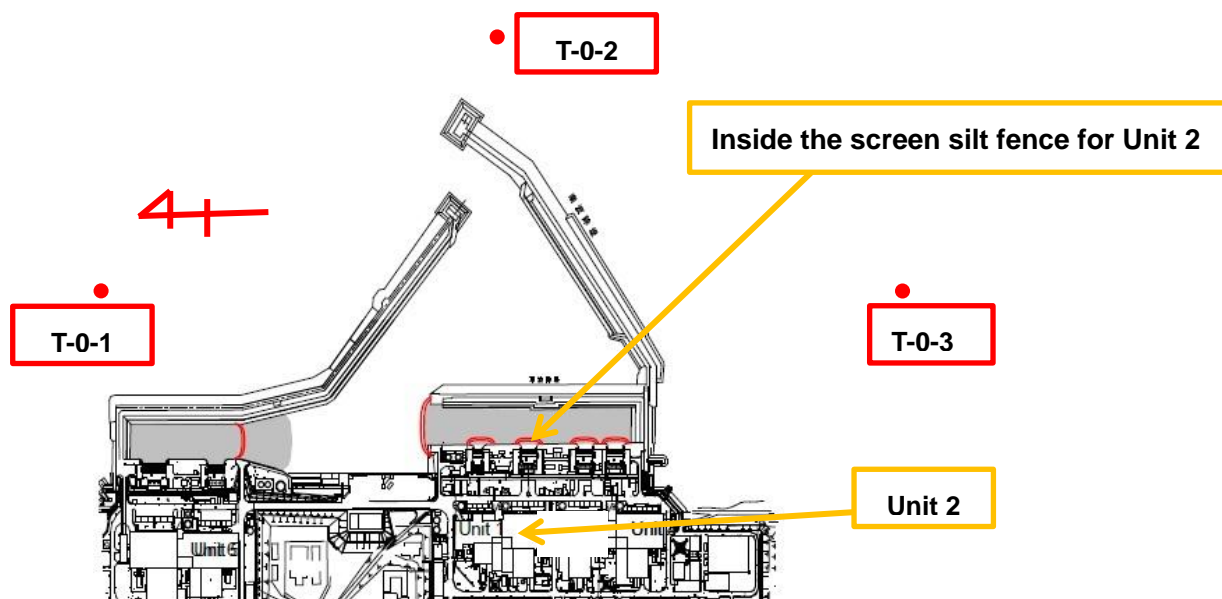
As of 16 October, 2013
Nuclear Regulation Authority (NRA), Japan

Current Information on Radioactivity in Seawater

On 9 October, TEPCO found that the concentrations of Cs-134 and Cs-137 in sampling seawater obtained from inside the screen silt fence for Unit 2 increased comparing with the previous results.

The following URL leads to the details:

http://www.tepco.co.jp/en/press/corp-com/release/2013/1231317_5130.html



The results of TEPCO's monitoring at the sampling points T-0-1, T-0-2 and T-0-3 which are outside of the port entrance, show the concentrations of Cs-134 and Cs-137 are ND (under the limit of detection) on 10 October. This indicates no significant increase of concentrations of Cs-134 and Cs-137 after the above-described concentration increase on 9 October.

North side of the north breakwater (T-0-1)

Sampling Date in 2013	Cs-134 (Bq/L)	Cs-137 (Bq/L)	Total Beta (Bq/L)	H-3 (Bq/L)
04 October	ND(0.68)	ND(0.52)	ND(15)	ND(1.6)
08 October	ND(0.64)	ND(0.73)	ND(15)	ND(1.7)
10 October	ND(0.67)	ND(0.80)	-	-

1km east from the port entrance (T-0-2)

Sampling Date in 2013	Cs-134 (Bq/L)	Cs-137 (Bq/L)	Total Beta (Bq/L)	H-3 (Bq/L)
04 October	ND(0.80)	ND(0.69)	ND(15)	ND(1.6)
08 October	ND(0.76)	1.4	ND(15)	6.4
10 October	ND(0.68)	ND(0.50)	-	-

South side of the south breakwater (T-0-3)

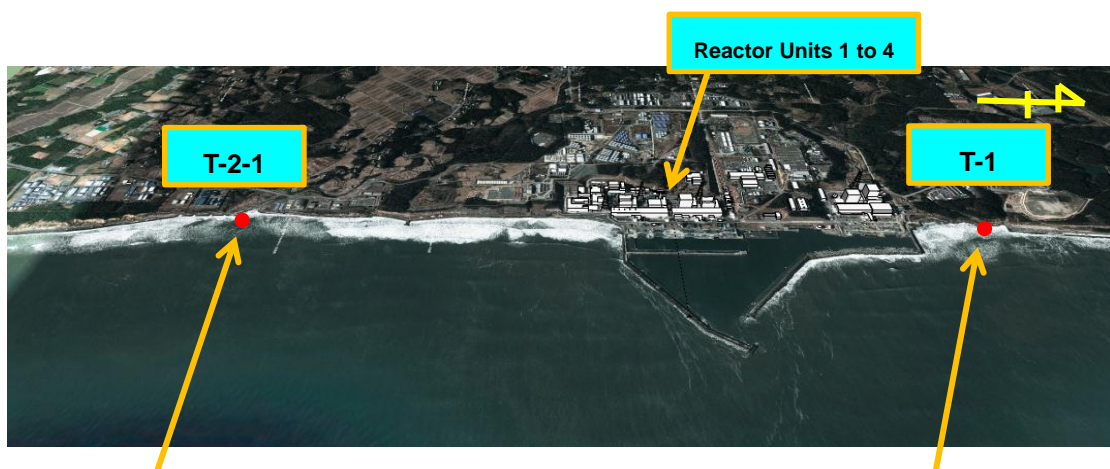
Sampling Date in 2013	Cs-134 (Bq/L)	Cs-137 (Bq/L)	Total Beta (Bq/L)	H-3 (Bq/L)
04 October	ND(0.61)	ND(0.85)	ND(15)	ND(1.6)
08 October	ND(0.88)	ND(0.71)	ND(15)	ND(1.7)
10 October	ND(0.63)	ND(0.71)	-	-

The results of daily monitoring by TEPCO of seawater near Fukushima Daiichi Nuclear Power Station between 7 and 13 October show the concentrations at the sampling point T-1 are 3.3 Bq/L or less for Cs-134 and Cs-137, ND (under the limit of detection) for total Beta, and 7.3 Bq/L for H-3. They also show the concentrations at the sampling point T-2-1 are all ND for Cs-134, Cs-137 and total Beta in the same period.

They indicate no significant increase of concentrations for Cs-134 and Cs-137 at the sampling points T-1 and T-2-1, and concentration for total Beta at T-2-1, comparing with the monitoring results in the previous week. The H-3 concentration at the sampling point T-1 is not remarkable comparing with the monitoring results for the past 6 months.

The following URL leads to details of monitoring results:

<http://www.nsr.go.jp/english/data/131015.pdf>



1.1km northern point (T-1) from the outlet for Reactor Units 1 to 4

Sampling Date in 2013	Cs-134 (Bq/L)	Cs-137 (Bq/L)	Total Beta (Bq/L)	H-3 (Bq/L)
07 October	1.3	1.7	ND(17)	7.3
08 October	ND(1.8)	1.9	-	-
09 October	1.1	1.5	-	-
10 October	1.6	3.3	-	-
11 October	1.8	2.6	-	-
12 October	ND(1.8)	ND(1.4)	-	-
13 October	ND(1.3)	1.5	-	-

1.3km southern point (T-2-1) from the outlet for Reactor Units 1 to 4

Sampling Date in 2013	Cs-134 (Bq/L)	Cs-137 (Bq/L)	Total Beta (Bq/L)	H-3 (Bq/L)
07 October	ND(1.3)	ND(1.4)	ND(21)	ND(1.8)
08 October	ND(1.8)	ND(1.3)	ND(18)	-
09 October	ND(1.3)	ND(1.3)	ND(18)	-
10 October	ND(1.1)	ND(1.2)	ND(19)	-
11 October	ND(1.2)	ND(1.6)	ND(18)	-
12 October	ND(1.8)	ND(1.4)	ND(19)	-
13 October	ND(1.3)	ND(1.2)	ND(19)	-